

Mercedes 722.6

sonnax®

TIME TESTED • INDUSTRY TRUSTED®

1 Automatic Drive • P.O. Box 440 • Bellows Falls, VT 05101-0440 USA
(800) 843-2600 • (802) 463-9722 • F: (802) 463-4059 • www.sonnax.com

① MI40.VA05 TC Lockup Clutch Regulator Valve Kit

Helps cure:

- Converter apply & release complaints
- Converter codes
- Lube failures

Note: Requires tool kit F-68942-TL10 & the VB-FIX reaming fixture.

② MI40.VA17 TCC Damper Valve & Sleeve Kit

Helps cure:

- Harsh lockup

③ TBC Oversized Manual Valve

Helps cure:

- Reduced line pressure
- Delayed engagements

Note: Requires tool kit F-68942-TL16 & the VB-FIX reaming fixture.

④ MI40.VA08 Pressure Regulator Valve Kit

Helps cure:

- Loss of 2-3, 4-3 neutral
- Soft shifts under acceleration

Note: Requires tool kit F-68942-TL7 & the VB-FIX reaming fixture.

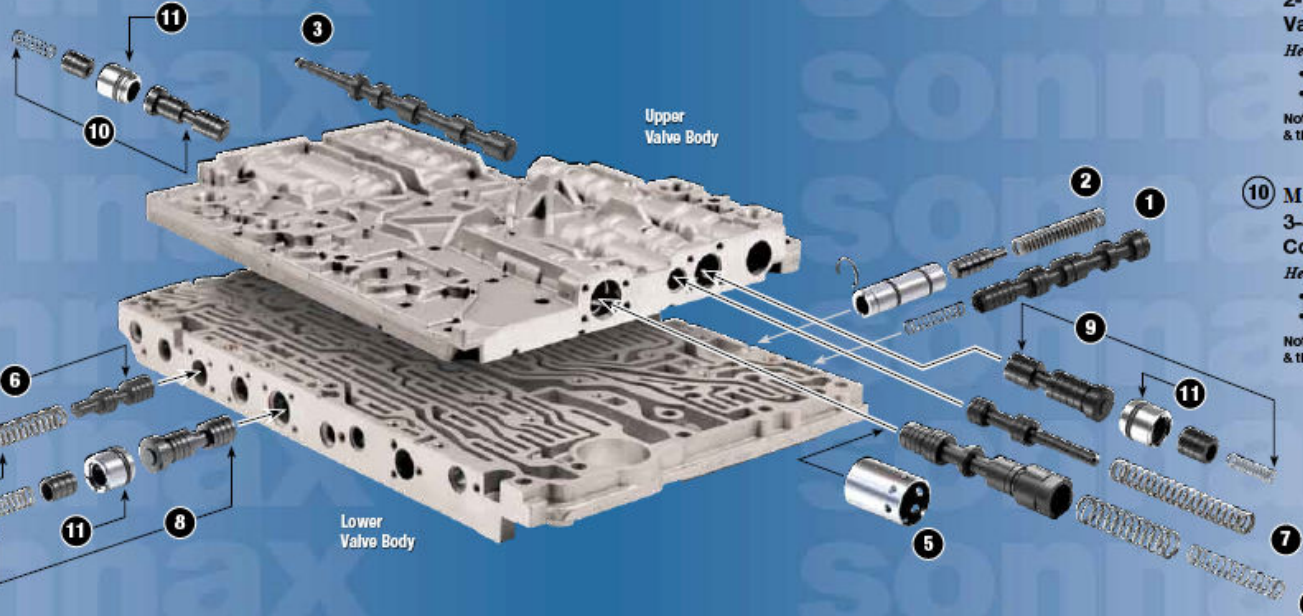
⑤ MI40.VA04 Outer Pressure Regulator Sleeve

Repairs outer bore only

Helps cure:

- Loss of 2-3, 4-3 neutral
- Soft shifts under acceleration

Note: Requires tool kit F-68942-TL6 & the VB-FIX reaming fixture.



⑥ TBC Oversized Regulating Valve Pressure Control Valve Kit

Early & Late Units

Helps cure:

- Delayed engagements
- Upshift/Downshift flares

Note: Requires tool kit F-68942-TL14 & the VB-FIX reaming fixture.

⑦ TBC Lubricating Pressure Control Valve Kit

Helps cure:

- Delayed engagement
- Poor performance/higher stall speeds

Note: Requires tool kit F-68942-TL14 & the VB-FIX reaming fixture.

⑧ MI40.VA18 1-2, 4-5 Overlap Control Valve Kit

Helps cure:

- Harsh/Flare/Cycling of 1-2/4-5 shifts
- Slipping Gears

Note: Requires tool kit F-68942-TL19 & the VB-FIX reaming fixture.

⑨ MI40.VA32 2-3 Overlap Control Valve Kit

Helps cure:

- Harsh/Bumpy/Flare 2-3 shifts
- Slipping gears

Note: Requires tool kit F-68942-TL27 & the VB-FIX reaming fixture.

⑩ MI40.VA20 3-4 Overlap Control Valve Kit

Helps cure:

- Harsh/Bumpy/Flare 3-4 shifts
- Slipping gears

Note: Requires tool kit F-68942-TL31 & the VB-FIX reaming fixture.

⑪ MI40.VA01 Overlap Control Valve Sleeve Kit

This kit fits 3 locations! (Parts also sold separately)

Helps cure:

- Harsh/Bumpy/Flare shifts
- Slipping gears

⑫ MERC126.SP01 Solenoid Pressure Regulator Spring

Helps cure:

- Delayed engagements
- Flare 2-3, 3-4 or 4-5 shifts