

Mercedes Benz G-class (W463)

WALD SPORTS LINE
BLACK BISON EDITION

INSTALLATION MANUAL
WALD
Sportliche Autoausrüstung WALD.International

THANK YOU FOR PURCHASING. THIS IS THE INSTALLATION MANUAL OF WALD FRONT BUMPER FOR MERCEDES-BENZ W463 G-CLASS.
PLEASE READ THIS MANUAL CAREFULLY BEFORE THE INSTALLATION.

ATTENTION



- ※ NO RETURNS CAN BE ACCEPTED BECAUSE OF IMPROPER INSTALLATION OR PAINTING.
- ※ CHECK THE FITMENT, AND ADJUST ALL THE DETAILS BEFORE PAINTING.
- We assume no responsibility for any damage resulting from improper installation, painting, modification and any cut wound in unsealing.
- Contact the car dealer when you have any question in removing OEM parts.
- During all the installation process, use parking brake and stop the engine completely.
- Use rasps or sandpapers to fit the products to the body if there is an individual difference.
- The product is made of FRP. Handle with care. Do not give the excessive force.
- Gradually fix the bolts and nuts by checking the fitment and balance of the installation.
- Check the fitment, and adjust all the details of the fitment steady and proper.
- Please check the fitment and all the details regularly, fix the bolts and nuts as necessary.
- The instruction of painting is just our recommendation, please paint it as you like.
- ※ PLEASE BE AWARE OF:
- You may lose the warranty and all the services from the car maker, because of replacing OEM parts.
- Reduced road clearance may cause inconvenience in using parking curbs and garage jack.
- FRP, ABS and PPE products are slightly weaker than OEM parts in crashes.
- The product may not match the body and OEM color perfectly.

Please purchase double sided tape, primer and caulking glue at auto accessory shop or hardware store.

Completely degrease and paint primer on all the installation positions to enhance the viscosity of double sided tape.

Use dryer to warm double sided tape to enhance the viscosity in low temperature.

Keep the car in a dry condition more than 24 hours after gluing.

Do not wash the car during this time.

	PARTS	QUANTITIES
FRONT BUMPER	FRONT BUMPER	1
	FRONT GRILLE	1
	MESHES FOR FRONT BUMPER	1 SET
	MESH FOR FRONT GRILLE	1
	LED LAMP KIT	1 SET
	RUBBER MOLDING	1 SET
	BOLTS (M6 x 12)	14
	RUBBER WASHERS	6

Use caulking glue to fill the gap between the product and the body.



FRONT BUMPER & FRONT GRILLE

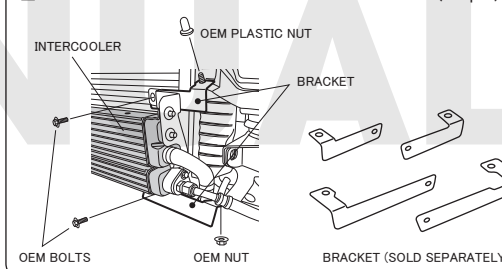
【BEFORE PAINTING】

- 1) Remove OEM front bumper according to the Mercedes-Benz service manual.
- ※ Use the bracket (sold separately) to fix OEM intercooler to the body only for Turbo Model.
- 2) Relocate all the necessary OEM parts and WALD Front Grille to WALD Front Bumper.
- ※ Adjust the details of WALD Front Bumper to fit the body by rasps or sandpapers.
- 3) Paint WALD Front Bumper and Front Grille according to the picture.

【AFTER PAINTING】

- 4) Install the attached meshes to WALD Front Bumper and Front Grille with caulking glue.
- 5) Fix the attached LED lamps and WALD Front Grille to WALD Front Bumper.
- ※ Adjust optical axis, and make sure the LED lamps are fine to work before the installation.
- 6) Temporarily fix the attached rubber moldings to WALD Front Bumper.
- 7) Check all the balance of the location and fitting, then tighten all the OEM and attached bolts.
- 8) Cut the pins on the back of OEM front grille emblem, and use the caulking glue to fix it on WALD Front Grille.
- ※ Leave it till completely fixed.

■ HOW TO FIX OEM INTERCOOLER TO THE BODY (Step 1)



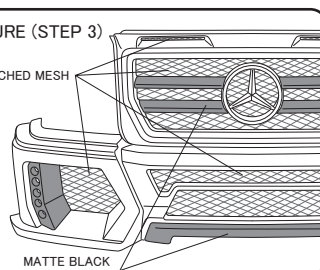
■ WALD SHOWCAR IS PAINTED LIKE THE PICTURE (STEP 3)

Make clear coating for the carbon parts of WALD Front Bumper.

■ HOW TO INSTALL THE ATTACHED MESHES (STEP 4)

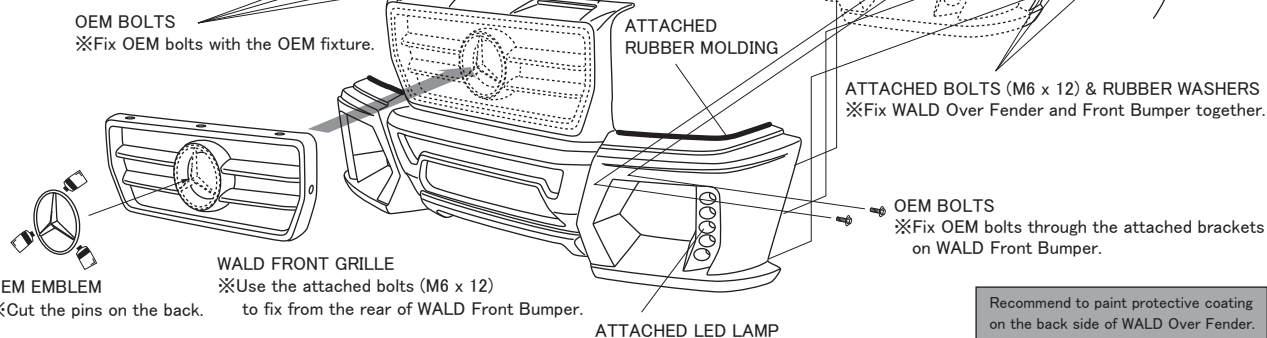
Use pins and caulking glue to install the attached meshes to WALD Front Bumper from the rear.

※ Paint the inside of the ducts and pins in black.



⚠ ATTENTION

- ※ MORE THAN 2 TECHNICIANS ARE NECESSARY IN THIS WORK.
- ※ DURING ALL THE INSTALLATION PROCESS, PLEASE BE CAREFUL NOT TO DAMAGE THE BODY.
- ※ ADJUST ALL THE DETAILS OF OUR PRODUCTS TO FIT ON A CAR PERFECTLY.



Recommend to paint protective coating on the back side of WALD Over Fender.

Mercedes Benz G-class (W463)

WALD SPORTS LINE
BLACK BISON EDITION

INSTALLATION MANUAL
WALD
Sportliche Autoausrüstung WALD.International

THANK YOU FOR PURCHASING. THIS IS THE INSTALLATION MANUAL OF WALD REAR BUMPER FOR MERCEDES-BENZ W463 G-CLASS.
PLEASE READ THIS MANUAL CAREFULLY BEFORE THE INSTALLATION.

ATTENTION



- ※ NO RETURNS CAN BE ACCEPTED BECAUSE OF IMPROPER INSTALLATION OR PAINTING.
- ※ CHECK THE FITMENT, AND ADJUST ALL THE DETAILS BEFORE PAINTING.
- We assume no responsibility for any damage resulting from improper installation, painting, modification and any cut wound in unsealing.
- Contact the car dealer when you have any question in removing OEM parts.
- During all the installation process, use parking brake and stop the engine completely.
- Use rasps or sandpapers to fit the products to the body if there is an individual difference.
- The product is made of FRP. Handle with care. Do not give the excessive force.
- Gradually fix the bolts and nuts by checking the fitment and balance of the installation.
- Check the fitment, and adjust all the details of the fitment steady and proper.
- Please check the fitment and all the details regularly, fix the bolts and nuts as necessary.
- The instruction of painting is just our recommendation, please paint it as you like.
- ※ PLEASE BE AWARE OF:
- You may lose the warranty and all the services from the car maker, because of replacing OEM parts.
- Reduced road clearance may cause inconvenience in using parking curbs and garage jack.
- FRP, ABS and PPE products are slightly weaker than OEM parts in crashes.
- The product may not match the body and OEM color perfectly.

Please purchase double sided tape, primer and caulking glue at auto accessory shop or hardware store.

Completely degrease and paint primer on all the installation positions to enhance the viscosity of double sided tape.

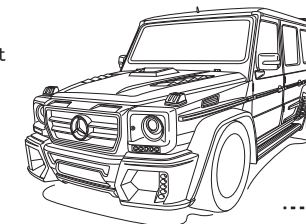
Use dryer to warm double sided tape to enhance the viscosity in low temperature.

Keep the car in a dry condition more than 24 hours after gluing.

Do not wash the car during this time.

	PARTS	QUANTITIES
REAR BUMPER	REAR BUMPER	1
	MESHES	1 SET
	RUBBER MOLDING	1 SET
	BOLTS (M6 x 12)	6
	NUTS (M8)	4
	RUBBER WASHERS	6

Use caulking glue to fill the gap between the product and the body.



REAR BUMPER

【BEFORE PAINTING】

- 1) Remove OEM rear bumper according to the Mercedes-Benz service manual.
- 2) Replace OEM brackets to WALD Rear Bumper.
- 3) Temporarily fix WALD Rear Bumper to the body with all the necessary parts.
- ※ Adjust the details of WALD Rear Bumper to fit the body by rasps or sandpapers.
- 4) Cut OEM mud-guard according to the shape of WALD Rear Bumper.
- 5) Paint WALD Rear Bumper according to the picture.

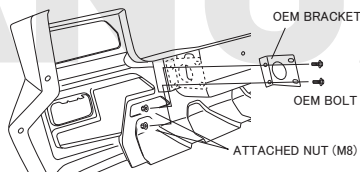
【AFTER PAINTING】

- 6) Use caulking glue to fix the attached meshes from the rear.
- 7) Fix OEM mud-guard to WALD Rear Bumper.
- ※ Use caulking glue if the OEM tapping screws are not available.
- 8) Temporarily install WALD Rear Bumper to the body.
- 9) Check all the details of the fitment, then tighten all the OEM bolts and the attached bolts.

Recommend to paint protective coating on the back side of WALD Over Fender.

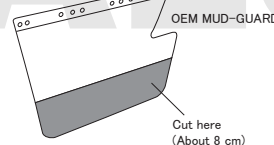
■ HOW TO INSTALL OEM BRACKET (STEP 2)

Replace OEM brackets from OEM Rear Bumper, and fix them on WALD Rear Bumper with OEM bolts and attached Nuts (M8).



■ HOW TO INSTALL OEM MUD-GUARD (STEP 4)

Cut the [shaded] part according to WALD Rear Bumper.



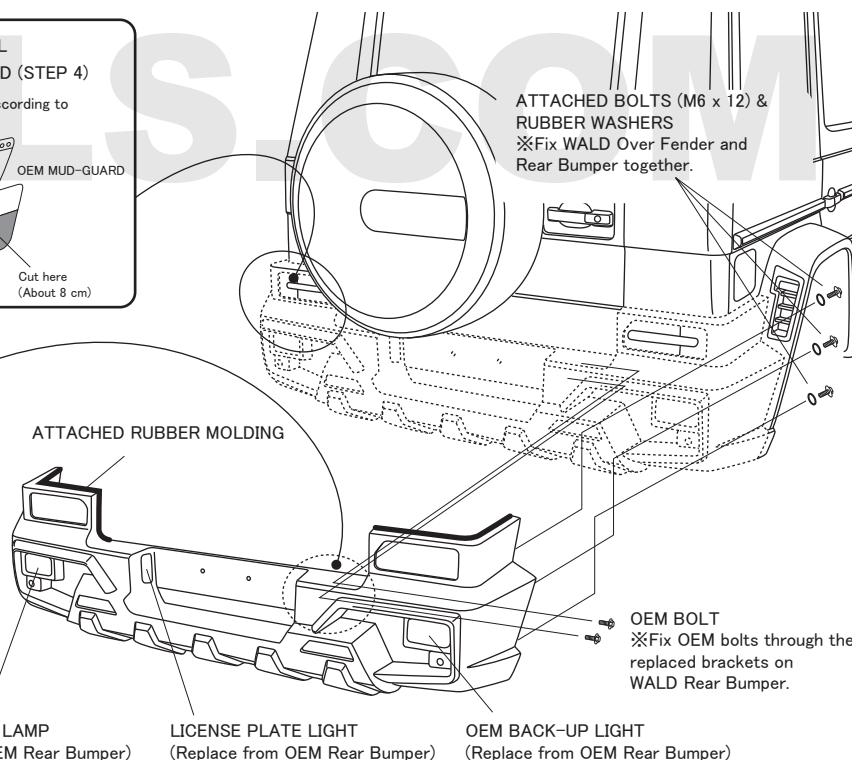
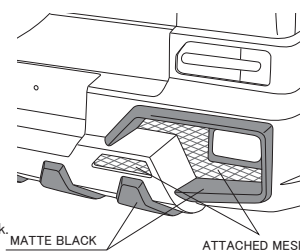
■ WALD SHOWCAR IS PAINTED LIKE THE PICTURE (STEP 5)

Make clear coating for the carbon parts of WALD Front Bumper.

■ HOW TO INSTALL THE ATTACHED MESHES (STEP 6)

Use pins and caulking glue to install the attached meshes to WALD Rear Bumper from the rear.

※ Paint the inside of the ducts and pins in black.



ATTENTION

- ※ MORE THAN 2 TECHNICIANS ARE NECESSARY IN THIS WORK.
- ※ DURING ALL THE INSTALLATION PROCESS, PLEASE BE CAREFUL NOT TO DAMAGE THE BODY.
- ※ ADJUST ALL THE DETAILS OF OUR PRODUCTS TO FIT ON A CAR PERFECTLY.

Mercedes Benz G-class (W463)

WALD SPORTS LINE
BLACK BISON EDITION

取付説明書
WALD
Sportliche Autoausrüstung WALD.International

THANK YOU FOR PURCHASING. THIS IS THE INSTALLATION MANUAL OF WALD HEAD LIGHT COVER FOR MERCEDES-BENZ W463 G-CLASS.

ATTENTION



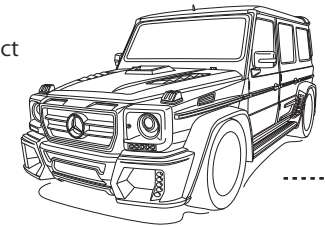
- ※ NO RETURNS CAN BE ACCEPTED BECAUSE OF IMPROPER INSTALLATION OR PAINTING.
- ※ CHECK THE FITMENT, AND ADJUST ALL THE DETAILS BEFORE PAINTING.
- We assume no responsibility for any damage resulting from improper installation, painting, modification and any cut wound in unsealing.
- Contact the car dealer when you have any question in removing OEM parts.
- During all the installation process, use parking brake and stop the engine completely.
- Use rasps or sandpapers to fit the products to the body if there is an individual difference.
- The product is made of FRP. Handle with care. Do not give the excessive force. Gradually fix the bolts and nuts by checking the fitment and balance of the installation.
- Check the fitment, and adjust all the details of the fitment steady and proper. Please check the fitment and all the details regularly, fix the bolts and nuts as necessary.
- The instruction of painting is just our recommendation, please paint it as you like.
- ※ PLEASE BE AWARE OF:
 - You may lose the warranty and all the services from the car maker, because of replacing OEM parts.
 - Reduced road clearance may cause inconvenience in using parking curbs and garage jack.
 - FRP, ABS and PPE products are slightly weaker than OEM parts in crashes.
 - The product may not match the body and OEM color perfectly.

Please purchase double sided tape, primer and caulking glue at auto accessory shop or hardware store.

Completely degrease and paint primer on all the installation positions to enhance the viscosity of double sided tape.
Use dryer to warm double sided tape to enhance the viscosity in low temperature.
Keep the car in a dry condition more than 24 hours after gluing.
Do not wash the car during this time.

	PARTS	QUANTITIES
REAR BUMPER	HEAD LIGHT COVER	1 SET
	LED LAMP	1 SET

Use caulking glue to fill the gap between the product and the body.



HEAD LIGHT COVER

[BEFORE PAINTING]

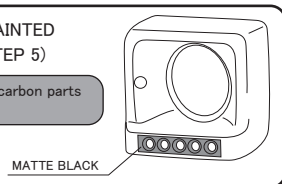
- 1) Remove OEM head light cover according to the Mercedes-Benz service manual.
- 2) Temporarily install the attached LED lamps according to the guide-wall on WALD Head Light Cover.
※Adjust the details of WALD Head Light Cover to fit the attached LED lamps by rasps or sandpapers.
- 3) Temporarily install WALD Head Light Cover to the body.
※Adjust the details of WALD Head Light Cover to fit the body by rasps or sandpapers.
- 4) Prepare to connect the LED lamps.
※Insulate any spare harness.
- 5) Paint WALD Head Light Cover according to the picture.

[AFTER PAINTING]

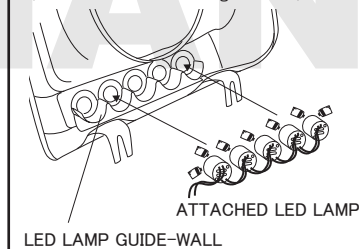
- 6) Completely degrease the installation positions for WALD Exhaust Trim.
- 7) Use caulking glue to fix WALD Exhaust Trim on WALD Rear Bumper.
- 8) Leave them till completely fixed.
- 9) Install WALD Rear Bumper to the body.

※WALD SHOWCAR IS PAINTED LIKE THE PICTURE (STEP 5)

Make clear coating for the carbon parts of WALD Front Bumper.



■ HOW TO INSTALL THE ATTACHED LED LAMPS (STEP 2, 7) (Inside of WALD Head Light Cover)

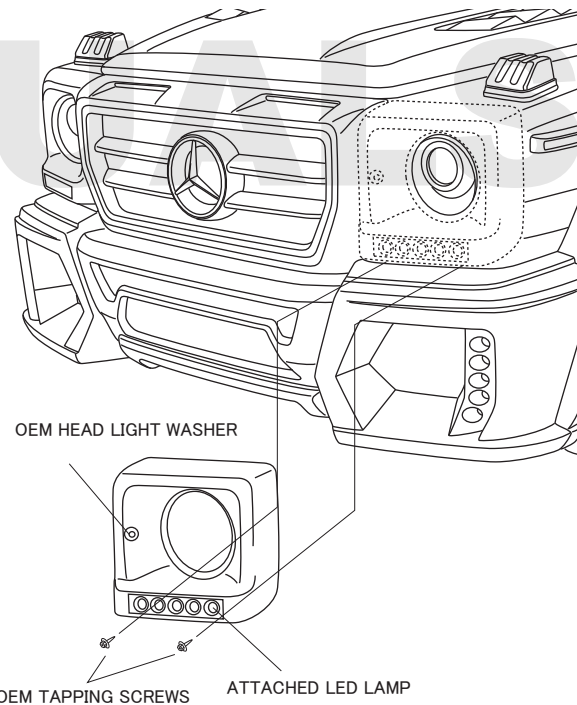


LED LAMP GUIDE-WALL

※ Use heat resistant caulking glue to fix the attached LED lamps.

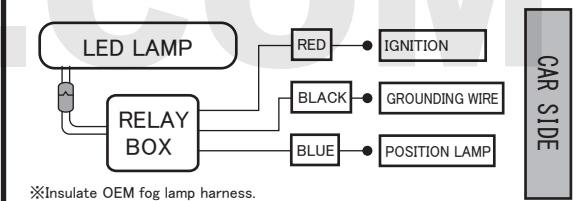


Fix the attached LED lamps according to the picture.



= WIRING DIAGRAM =

[AS DAYLIGHT]



※Insulate OEM fog lamp harness.

ATTENTION ※MORE THAN 2 TECHNICIANS ARE NECESSARY IN THIS WORK. DURING ALL THE INSTALLATION PROCESS, PLEASE BE CAREFUL NOT TO DAMAGE THE BODY.
※ADJUST ALL THE DETAILS OF WALD PRODUCTS TO FIT ON THE BODY.

Mercedes Benz G-class (W463)

WALD SPORTS LINE
BLACK BISON EDITION

INSTALLATION MANUAL
WALD
Sportliche Autoausrüstung WALD International

THANK YOU FOR PURCHASING. THIS IS THE INSTALLATION MANUAL OF WALD BONNET FOR MERCEDES-BENZ W463 G-CLASS.

ATTENTION



- ※ NO RETURNS CAN BE ACCEPTED BECAUSE OF IMPROPER INSTALLATION OR PAINTING.
- ※ CHECK THE FITMENT, AND ADJUST ALL THE DETAILS BEFORE PAINTING.
- We assume no responsibility for any damage resulting from improper installation, painting, modification and any cut wound in unsealing.
- Contact the car dealer when you have any question in removing OEM parts.
- During all the installation process, use parking brake and stop the engine completely.
- Use rasps or sandpapers to fit the products to the body if there is an individual difference.
- The product is made of FRP. Handle with care. Do not give the excessive force. Gradually fix the bolts and nuts by checking the fitment and balance of the installation.
- Check the fitment, and adjust all the details of the fitment steady and proper. Please check the fitment and all the details regularly, fix the bolts and nuts as necessary.
- The instruction of painting is just our recommendation, please paint it as you like.
- ※ PLEASE BE AWARE OF:
 - You may lose the warranty and all the services from the car maker, because of replacing OEM parts.
 - Reduced road clearance may cause inconvenience in using parking curbs and garage jack.
 - FRP, ABS and PPE products are slightly weaker than OEM parts in crashes.
 - The product may not match the body and OEM color perfectly.

Please purchase double sided tape, primer and caulking glue at auto accessory shop or hardware store.

Completely degrease and paint primer on all the installation positions to enhance the viscosity of double sided tape.
Use dryer to warm double sided tape to enhance the viscosity in low temperature.
Keep the car in a dry condition more than 24 hours after gluing.
Do not wash the car during this time.

	PARTS	QUANTITIES
LED LAMP	LED LAMP	1 SET

Use caulking glue to fill the gap between the product and the body.



LED LAMP KIT

[BEFORE PAINTING]

1) Temporarily fix the attached LED lamps according to the guide-line walls on WALD Front Bumper.
※ Adjust the details of WALD Front Bumper to fit the attached LED lamps by rasps or sandpapers.

2) Prepare to connect the attached LED lamps.
※ Insulate any spare harness.

3) Paint WALD Bonnet according to the picture.

[AFTER PAINTING]

4) Completely degrease the installation positions, then put the attached LED lamps according to the guide-line walls on WALD Front Bumper.

5) Use caulking glue to fix the attached LED lamps after checking the angle and location.

6) Leave them till completely fixed.

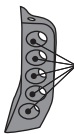
7) Install WALD Front Bumper to the body after connecting the harness.

※ WALD SHOWCAR IS PAINTED LIKE THE PICTURE (STEP 4)

The LED attachment of WALD Show Car is painted in Matte Black.

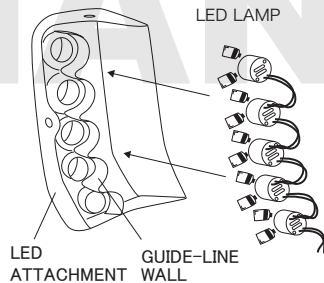
Even for Carbon Products, WALD Show Car is painted in Matte Black for these parts.

Make clear coating for the carbon parts of WALD Front Bumper.



- ⚠ **ATTENTION** ※ REMOVE THE BATTERY BEFORE ALL THE WIRING WORKS.
- ※ MAKE SURE OEM FOG LAMPS ARE FINE TO WORK BEFORE THE INSTALLATION.

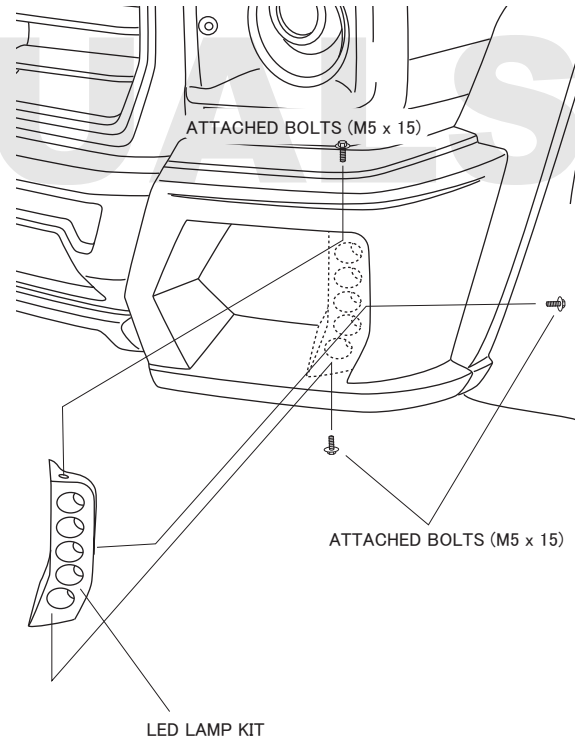
■ HOW TO INSTALL THE ATTACHED LED LAMPS (STEP 1, 3)



※ Use heat resistant caulking glue to fix the attached LED lamps.

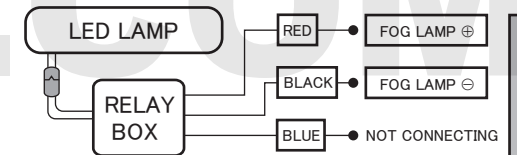


Fix the attached LED lamps according to the picture.

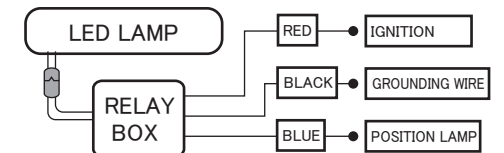


= WIRING DIAGRAM =

[AS FOG LAMP]



[AS DAYLIGHT]



※ Insulate OEM fog lamp harness.

■ Please purchase relay harness with remote controller kit to turn on the daylights or fog lamps separately.

CAR SIDE

Mercedes Benz G-class (W463)

WALD SPORTS LINE
BLACK BISON EDITION

INSTALLATION MANUAL
WALD
Sportliche Autoausrüstung WALD International

THANK YOU FOR PURCHASING. THIS IS THE INSTALLATION MANUAL OF WALD BONNET FOR MERCEDES-BENZ W463 G-CLASS.

ATTENTION



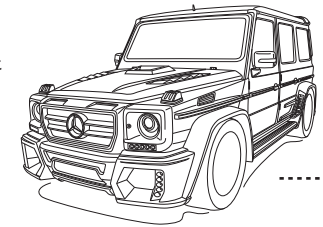
- ※ NO RETURNS CAN BE ACCEPTED BECAUSE OF IMPROPER INSTALLATION OR PAINTING.
- ※ CHECK THE FITMENT, AND ADJUST ALL THE DETAILS BEFORE PAINTING.
- We assume no responsibility for any damage resulting from improper installation, painting, modification and any cut wound in unsealing.
- Contact the car dealer when you have any question in removing OEM parts.
- During all the installation process, use parking brake and stop the engine completely.
- Use rasps or sandpapers to fit the products to the body if there is an individual difference.
- The product is made of FRP. Handle with care. Do not give the excessive force. Gradually fix the bolts and nuts by checking the fitment and balance of the installation.
- Check the fitment, and adjust all the details of the fitment steady and proper. Please check the fitment and all the details regularly, fix the bolts and nuts as necessary.
- The instruction of painting is just our recommendation, please paint it as you like.
- ※ PLEASE BE AWARE OF:
 - You may lose the warranty and all the services from the car maker, because of replacing OEM parts.
 - Reduced road clearance may cause inconvenience in using parking curbs and garage jack.
 - FRP, ABS and PPE products are slightly weaker than OEM parts in crashes.
 - The product may not match the body and OEM color perfectly.

Please purchase double sided tape, primer and caulking glue at auto accessory shop or hardware store.

Completely degrease and paint primer on all the installation positions to enhance the viscosity of double sided tape.
Use dryer to warm double sided tape to enhance the viscosity in low temperature.
Keep the car in a dry condition more than 24 hours after gluing.
Do not wash the car during this time.

	PARTS	QUANTITIES
BONNET	BONNET	1
	BOLTS (M6 x 12)	2
	NUTS (M8)	1

Use caulking glue to fill the gap between the product and the body.



BONNET

[BEFORE PAINTING]

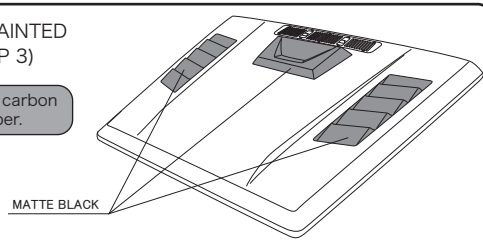
- 1) Remove OEM bonnet according to the Mercedes-Benz service manual.
- 2) Temporarily install WALD Bonnet to the body after pre-fixing all the necessary parts.
※ Adjust the details of WALD Bonnet to fit the body by rasps or sandpapers.
- 3) Paint WALD Bonnet according to the picture.

[AFTER PAINTING]

- 4) Fix all the necessary parts to WALD Bonnet, then install to the body.
- 5) Tighten OEM bolts, attached bolts and nuts after checking the balance.

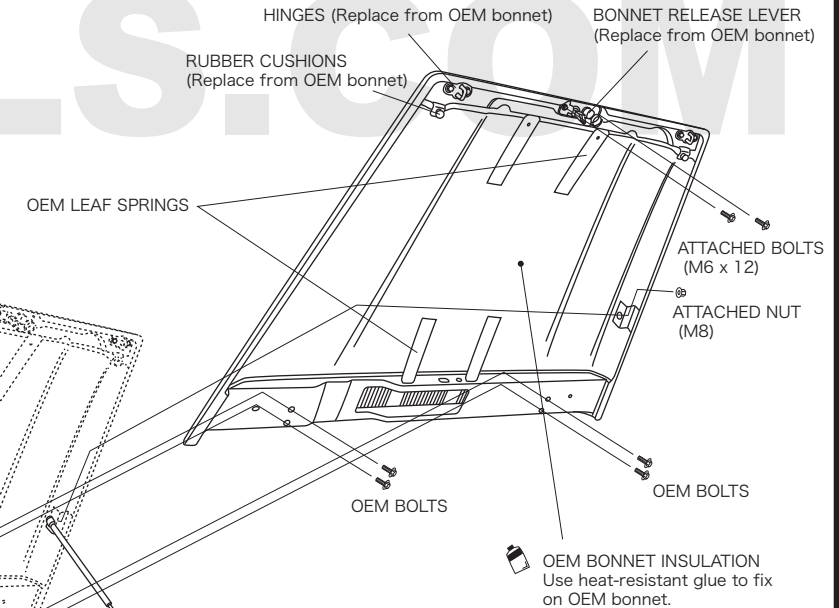
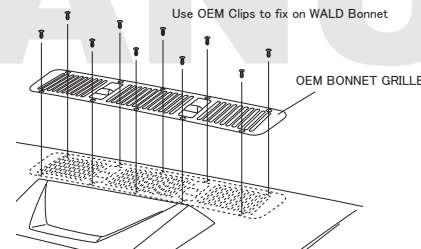
※ WALD SHOWCAR IS PAINTED LIKE THE PICTURE (STEP 3)

Make clear coating for the carbon parts of WALD Front Bumper.



■ HOW TO REPLACE OEM WASHER PANEL (STEP 2)

Replace OEM washer panel to WALD Bonnet.



ATTENTION

- ※ MORE THAN 2 TECHNICIANS ARE NECESSARY IN THIS WORK.
- DURING ALL THE INSTALLATION PROCESS, PLEASE BE CAREFUL NOT TO DAMAGE THE BODY.
- ※ ADJUST ALL THE DETAILS OF WALD PRODUCTS TO FIT ON THE BODY.

Mercedes Benz G-class (W463)

WALD SPORTS LINE
BLACK BISON EDITION

INSTALLATION MANUAL
WALD
Sportliche Autoausrüstung WALD.International

THANK YOU FOR PURCHASING. THIS IS THE INSTALLATION MANUAL OF WALD OVER FENDER AND REAR DOOR PANEL FOR MERCEDES-BENZ W463 G-CLASS.
PLEASE READ THIS MANUAL CAREFULLY BEFORE THE INSTALLATION.

ATTENTION



- ※ NO RETURNS CAN BE ACCEPTED BECAUSE OF IMPROPER INSTALLATION OR PAINTING.
- ※ CHECK THE FITMENT, AND ADJUST ALL THE DETAILS BEFORE PAINTING.
- We assume no responsibility for any damage resulting from improper installation, painting, modification and any cut wound in unsealing.
- Contact the car dealer when you have any question in removing OEM parts.
- During all the installation process, use parking brake and stop the engine completely.
- Use rasps or sandpapers to fit the products to the body if there is an individual difference.
- The product is made of FRP. Handle with care. Do not give the excessive force. Gradually fix the bolts and nuts by checking the fitment and balance of the installation.
- Check the fitment, and adjust all the details of the fitment steady and proper. Please check the fitment and all the details regularly, fix the bolts and nuts as necessary.
- The instruction of painting is just our recommendation, please paint it as you like.
- ※ PLEASE BE AWARE OF:
- You may lose the warranty and all the services from the car maker, because of replacing OEM parts.
- Reduced road clearance may cause inconvenience in using parking curbs and garage jack.
- FRP, ABS and PPE products are slightly weaker than OEM parts in crashes.
- The product may not match the body and OEM color perfectly.

Please purchase double sided tape, primer and caulking glue at auto accessory shop or hardware store.

Completely degrease and paint primer on all the installation positions to enhance the viscosity of double sided tape.

Use dryer to warm double sided tape to enhance the viscosity in low temperature.

Keep the car in a dry condition more than 24 hours after gluing.

Do not wash the car during this time.

	PARTS	QUANTITIES
OVER FENDER	OVER FENDER	1 SET
	INNER PANELS	1 SET
	MESHES	1 SET
REAR DOOR PANEL	REAR DOOR PANELS	1 SET
	FENDER PANELS	1 SET

Use caulking glue to fill the gap between the product and the body.



OVER FENDER & REAR DOOR PANEL

【BEFORE PAINTING】

- 1) Remove OEM over fender according to the Mercedes-Benz service manual.
- 2) Temporarily install WALD Over Fender to the body.
- ※ See how to process on WALD Rear Over Fender when installing WALD Door Panel according to the picture.
- 3) Mark the installation positions for OEM tapping screws on the attached inner panels to fix on WALD Rear Over Fenders.
- 4) Make holes on the attached inner panels according to the marked positions.
- 5) Paint WALD Over Fenders according to the picture.

【AFTER PAINTING】

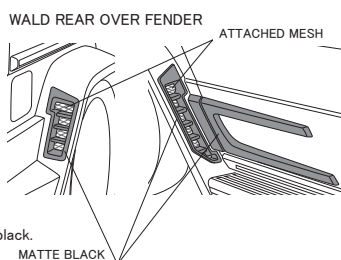
- 6) Use caulking glue to fix the attached meshes from the rear.
- 7) Fix the attached inner panels on WALD Rear Over Fenders.
- 8) Install WALD Over Fenders to the body and tighten OEM bolts and tapping screws.

■ WALD SHOWCAR IS PAINTED LIKE THE PICTURE (STEP 5)

Make clear coating for the carbon parts of WALD Front Bumper.

■ HOW TO INSTALL THE ATTACHED MESHES (STEP 6)

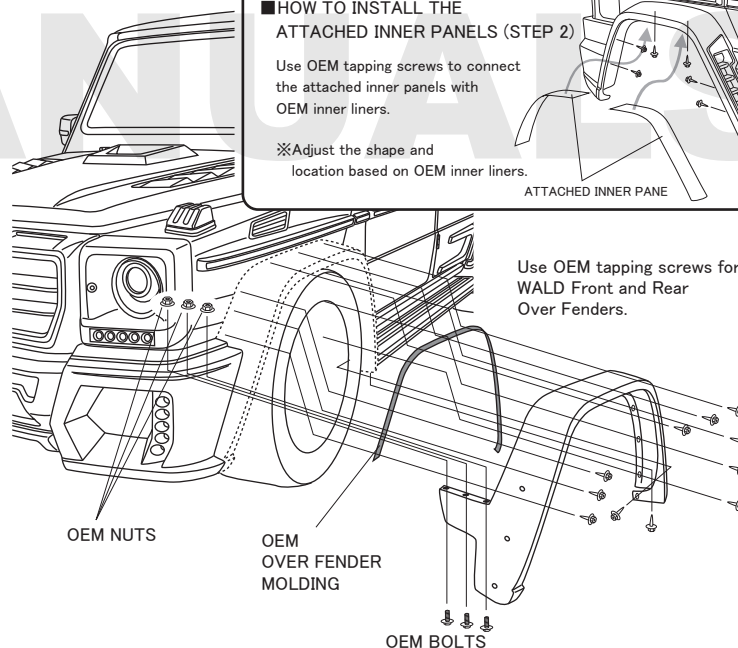
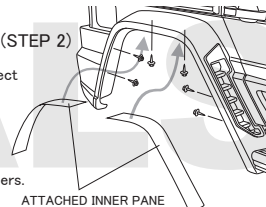
Use pins and caulking glue to install the attached meshes to WALD Rear Bumper from the rear.
※Paint the inside of the ducts and pins in black.



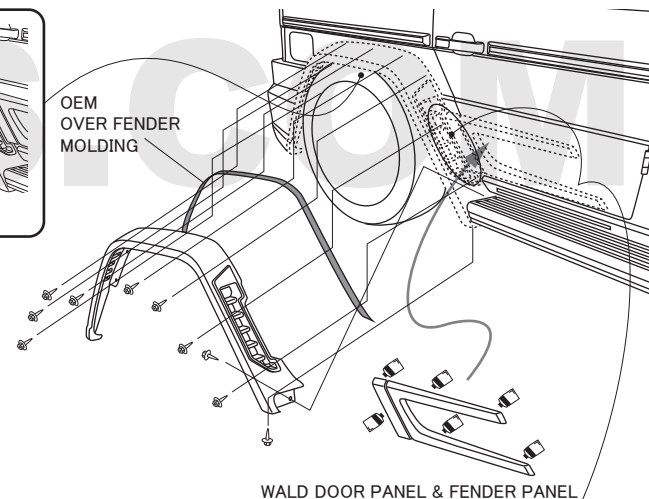
■ HOW TO INSTALL THE ATTACHED INNER PANELS (STEP 2)

Use OEM tapping screws to connect the attached inner panels with OEM inner liners.

※Adjust the shape and location based on OEM inner liners.



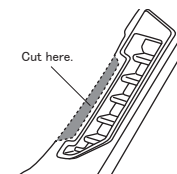
Use OEM tapping screws for WALD Front and Rear Over Fenders.



■ HOW TO PROCESS WALD REAR OVER FENDER (STEP 2)

Need to cut WALD Rear Over Fender and OEM Door Molding when installing WALD Rear Door Panels.

Be careful to adjust the location and balance based on a car.



Recommend to paint protective coating on the back side of WALD Over Fender.

ATTENTION

- ※ MORE THAN 2 TECHNICIANS ARE NECESSARY IN THIS WORK.
- ※ DURING ALL THE INSTALLATION PROCESS, PLEASE BE CAREFUL NOT TO DAMAGE THE BODY.
- ※ ADJUST ALL THE DETAILS OF OUR PRODUCTS TO FIT ON A CAR PERFECTLY.

Mercedes Benz G-class

WALD SPORTS LINE
BLACK BISON EDITION

INSTALLATION MANUAL
WALD
Sportliche Autoausrüstung WALD International

THANK YOU FOR PURCHASING. THIS IS THE INSTALLATION MANUAL OF WALD FRONT BUMPER FOR MERCEDES-BENZ W463 G-CLASS.
PLEASE READ THIS MANUAL CAREFULLY BEFORE THE INSTALLATION.

ATTENTION



- ※ NO RETURNS CAN BE ACCEPTED BECAUSE OF IMPROPER INSTALLATION OR PAINTING.
- ※ CHECK THE FITMENT, AND ADJUST ALL THE DETAILS BEFORE PAINTING.
- We assume no responsibility for any damage resulting from improper installation, painting, modification and any cut wound in unsealing.
- Contact the car dealer when you have any question in removing OEM parts.
- During all the installation process, use parking brake and stop the engine completely.
- Use rasps or sandpapers to fit the products to the body if there is an individual difference.
- The product is made of FRP. Handle with care. Do not give the excessive force. Gradually fix the bolts and nuts by checking the fitment and balance of the installation.
- Check the fitment, and adjust all the details of the fitment steady and proper. Please check the fitment and all the details regularly, fix the bolts and nuts as necessary.
- The instruction of painting is just our recommendation, please paint it as you like.
- ※ PLEASE BE AWARE OF:
- You may lose the warranty and all the services from the car maker, because of replacing OEM parts.
- Reduced road clearance may cause inconvenience in using parking curbs and garage jack.
- FRP, ABS and PPE products are slightly weaker than OEM parts in crashes.
- The product may not match the body and OEM color perfectly.

Please purchase double sided tape, primer and caulking glue at auto accessory shop or hardware store.

Completely degrease and paint primer on all the installation positions to enhance the viscosity of double sided tape.

Use dryer to warm double sided tape to enhance the viscosity in low temperature.

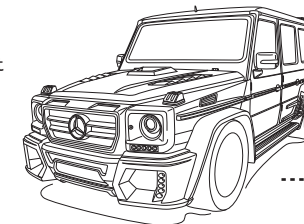
Keep the car in a dry condition more than

24 hours after gluing.

Do not wash the car during this time.

	PARTS	QUANTITIES
ROOF SPOILER	ROOF SPOILER	1
	TAPPING SCREWS (M5 x 10)	4
REAR GATE SPOILER	REAR GATE SPOILER	1

Use caulking glue to fill the gap between the product and the body.



[BEFORE PAINTING]

1) Temporarily install WALD Roof Spoiler and Rear Gate Spoiler to the body.

※Check all the details of the fitment, then use masking tape to mark the installation position.

2) Mark the installation positions on the body according to the picture, then remove WALD Rear Gate Spoiler and Roof Spoiler.

3) Make holes on the rear gate from the rear to insert the attached tapping screws.

※Use touch up paint to make corrosion treatment on holes.

4) Remove WALD Roof Spoiler and Rear Gate Spoiler, then make holes on them.

[AFTER PAINTING]

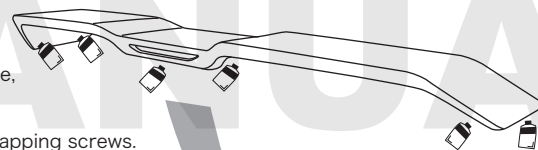
5) Use caulking glue to install WALD Rear Gate Spoiler and Roof Spoiler to the body after completely degreasing the installation positions.

6) Fix the attached tapping screws from the rear gate to install WALD Roof Spoiler.

7) Check all the details of the fitment, then fix the attached tapping screws.

ATTENTION

- ※ MORE THAN 2 TECHNICIANS ARE NECESSARY IN THIS WORK.
- DURING ALL THE INSTALLATION PROCESS, PLEASE BE CAREFUL NOT TO DAMAGE THE BODY.
- ※ ADJUST ALL THE DETAILS OF WALD PRODUCTS TO FIT ON THE BODY.



Scuff and degrease the surface of WALD Roof Spoiler and the body before installing.

